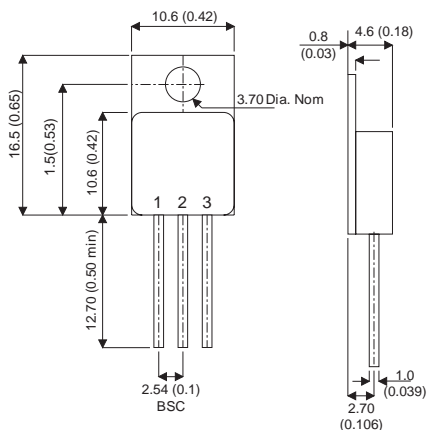


SILICON NPN EPITAXIAL BASE IN TO220 METAL AND CERAMIC SURFACE MOUNT PACKAGES

MECHANICAL DATA

Dimensions in mm(inches)



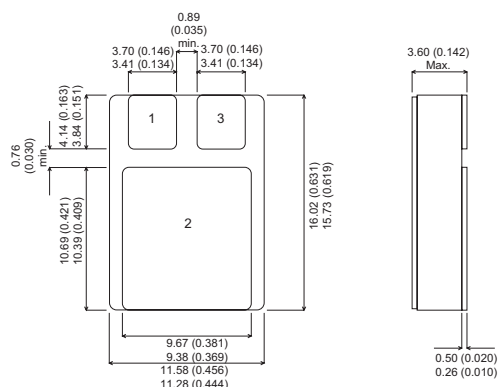
TO220M - TO220 Metal Package - Isolated (TO-257AB)

FEATURES

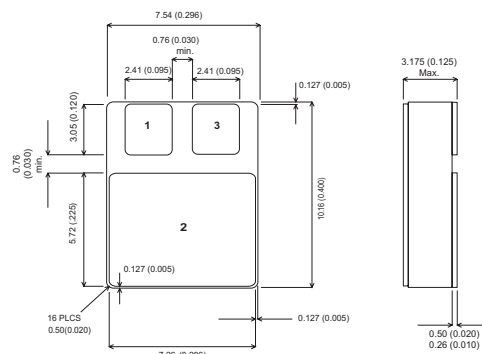
- HERMETIC METAL OR CERAMIC PACKAGES
- HIGH RELIABILITY
- MILITARY AND SPACE OPTIONS
- SCREENING TO CECC LEVELS
- FULLY ISOLATED (METAL VERSION)

APPLICATIONS

- POWER LINEAR AND SWITCHING APPLICATIONS
- GENERAL PURPOSE POWER



SMD1 - Ceramic Surface Mount Package (TO-276AB)



SMD05 - Ceramic Surface Mount Package (TO-276AA)

Pin 1 – Base

Pin 2 – Collector

Pin 3 – Emitter

ABSOLUTE MAXIMUM RATINGS (T_{case}=25°C unless otherwise stated)

		BDS10	BDS11	BDS12
V _{CBO}	Collector - Base voltage (I _E = 0)	60V	80V	100V
V _{CEO}	Collector - Emitter voltage (I _B = 0)	60V	80V	100V
V _{EBO}	Emitter - Base voltage (I _C = 0)		5V	
I _E , I _C	Emitter, Collector current		15A	
I _B	Base current		5A	
P _{tot}	Total power dissipation at T _{case} ≤ 25°C		90W	
T _{stg}	Storage Temperature		-65 to 200°C	
T _j	Junction Temperature		200°C	

Semelab Plc reserves the right to change test conditions, parameter limits and package dimensions without notice. Information furnished by Semelab is believed to be both accurate and reliable at the time of going to press. However Semelab assumes no responsibility for any errors or omissions discovered in its use. Semelab encourages customers to verify that datasheets are current before placing orders.

ELECTRICAL CHARACTERISTICS ($T_{case} = 25^{\circ}C$ unless otherwise stated)

Parameter	Test Conditions	Min.	Typ.	Max.	Unit
I_{CBO} Collector cut-off current ($I_E = 0$)	BDS10 $V_{CB} = 60V$			500	μA
	BDS11 $V_{CB} = 80V$			500	
	BDS12 $V_{CB} = 100V$			500	
I_{CEO} Collector cut-off current ($I_B = 0$)	BDS10 $V_{CE} = 30V$			1	mA
	BDS11 $V_{CE} = 40V$			1	
	BDS12 $V_{CE} = 50V$			1	
I_{EBO} Emitter cut-off current ($I_C = 0$)	$V_{EB} = 5V$			1	mA
$V_{CEO(sus)^*}$ Collector - Emitter sustaining voltage ($I_B = 0$)	BDS10	60			V
	BDS11 $I_C = 100mA$	80			
	BDS12	100			
$V_{CE(sat)^*}$ Collector - Emitter saturation voltage	$I_C = 5A$ $I_B = 0.5A$			1	V
	$I_C = 10A$ $I_B = 2.5A$			3	
$V_{BE(sat)^*}$ Base - Emitter saturation voltage	$I_C = 10A$ $I_B = 2.5A$			2.5	V
V_{BE}^* Base - Emitter voltage	$I_C = 5A$ $V_{CE} = 4V$			1.5	V
h_{FE}^* DC Current Gain	$I_C = 0.5A$ $V_{CE} = 4V$	40		250	
	$I_C = 5A$ $V_{CE} = 4V$	15		150	
	$I_C = 10A$ $V_{CE} = 4V$	5			
f_T Transition frequency	$I_C = 0.5A$ $V_{CE} = 4V$ $f = 1MHz$	3			MHz

*Pulsed : Pulse duration = 300 μs , duty cycle = 1.5%

SWITCHING CHARACTERISTICS

Parameter	Test Conditions	Max.	Unit
t_{on} On Time ($t_d + t_r$)	$I_C = 4A$ $V_{CC} = 30V$ $I_{B1} = 0.4A$	0.7	μs
t_s Storage Time	$I_C = 4A$ $V_{CC} = 30V$	1.0	μs
t_r Fall Time	$I_{B1} = -I_{B2} = 0.4A$	0.8	μs

THERMAL CHARACTERISTICS

Parameter	Test Conditions	Max.	Unit
$R_{\theta J-C}$ Thermal Resistance Junction to Case		1.4	$^{\circ}C/W$

Semelab Plc reserves the right to change test conditions, parameter limits and package dimensions without notice. Information furnished by Semelab is believed to be both accurate and reliable at the time of going to press. However Semelab assumes no responsibility for any errors or omissions discovered in its use. Semelab encourages customers to verify that datasheets are current before placing orders.